

Low Voltage Cut-outs
J Type Vertical MSDB



ENGINEERING BRILLIANT SOLUTIONS



Lucy Switchgear J Type Multi Service Distribution Boards are designed and manufactured in compliance with BSEN60439-1 and Draft ENA Technical Specification, suitable for 230/400V, 50Hz, 4 wire, T-N-C (Combined Neutral Earth) or T-N-S (Separate Neutral Earth) Electrical Distribution Networks.

Features & Benefits

- Enclosure fabricated from 1.2mm Zinc coated sheet steel of a preformed and riveted construction.
- Removable Interlocking Double Door configuration to provide secure access to incoming and outgoing electrical supplies.
- All steel components are prepared using phosphate resin pre-treatment process and protected with polyester stove enamelled textured paint finished in Admiralty Grey to BS 381C shade no. 632.
- 630A nominally rated TPN&E copper bus bars, electro tin plated.
- Incoming 92mm J Type fused supply up to 500A.
- Will accept solid aluminium or stranded copper Waveform or Single Wire Armoured Cables up to 300mm².

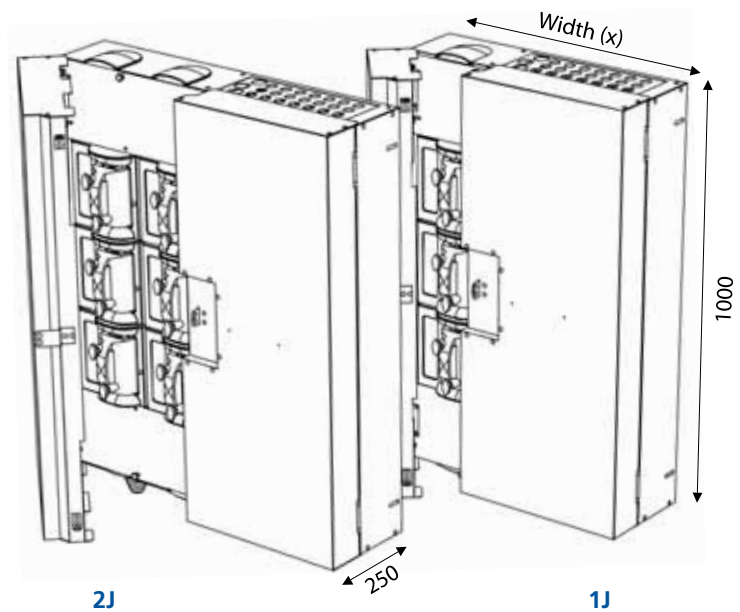


Features & Benefits (continued)

- Incoming cable access right or left hand, top or bottom.
- J Type Fuse Ways supplied complete with range taking shear-off mechanical connectors suitable for aluminium or copper conductors up to 300mm².
- Outgoing IIB SP fused service ways up to 100A.
- Will accept solid aluminium or stranded copper Concentric, Split Concentric or Single Wire Armoured Service Cables up to 35mm².
- Staggered fused service ways to provide ease of cabling.
- Suitable for rising main application.

Options

- Second J Type TP fuse way for outgoing supplies greater than 100A.
- Single Wire Armoured Glanding Kit.
- Temporary Insulation Shrouds for J Type fuse way.



| | Width (x) | Weight |
|-----------|-----------|--------|
| 15 way 1J | 503mm | 44kg |
| 15 way 2J | 710mm | 58kg |
| 24 way 1J | 642mm | 53kg |
| 24 way 2J | 849mm | 69kg |
| 30 way 1J | 735mm | 60kg |
| 30 way 2J | 942mm | 76kg |
| 45 way 1J | 967mm | 74kg |

Our complete range of Low Voltage Cut-outs include:



Pole Mounted Cut-Outs



ABC Box



Heavy Duty Cut-outs



MSDB



House Service Cut-outs



Accessories

For more information please contact us

Lucy Switchgear

Howland Road, Thame, Oxfordshire, OX9 3UJ, UK

tel: +44 (0)1844 267267 fax: +44 (0)1844 267223

email: sales@lucyswitchgear.com

Lucy Middle East

PO Box 17335, Jebel Ali, Dubai, United Arab Emirates

tel: +9714 812 9999 fax: +9714 812 9900

email: sales@lucyme.ae

The Saudi Lucy Company Ltd

PO Box 834, Al-Khobar, 31952, Saudi Arabia

tel: +966 3 8823057 fax: +966 3 8822553

email: info@saudilucy.com

